



Specialists
in steam.

Our installation team consists of experienced pipefitters and coded welders who will install your system from our in house generated isometric drawings

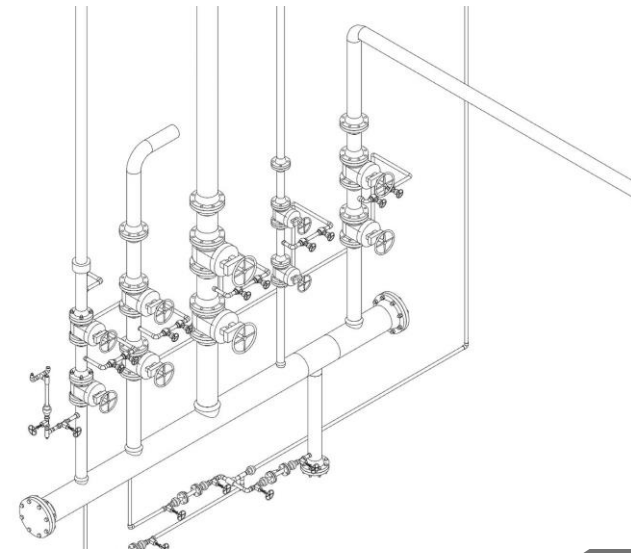
To ensure a professional and precise installation we use SolidWorks. This is a 3D/2D steam design software system for plant design and factory layout.

Optimise

From the 2D drawings we can create P&ID and fabrication spool drawings; this enables our engineers to work with increased precision, which will in turn be cost effective and more time efficient in the planning, building and install stage.



We also have the ability to generate 3 dimensional drawings to actually walk you through your installation.

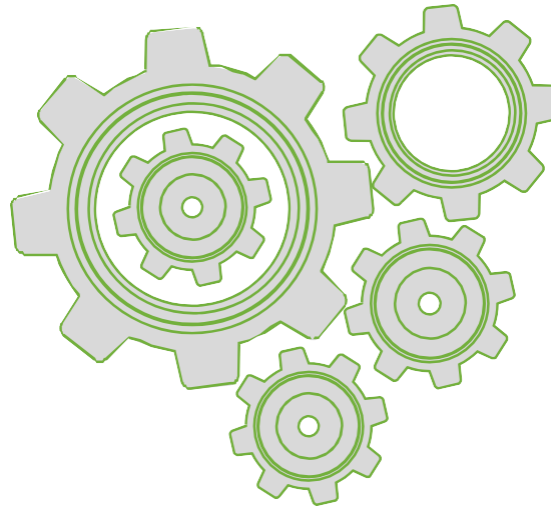




Qualified



All the team have IPAF licenses allowing us to drive the mobile elevated work platforms to work safely at height



All engineers have confined space certification should we need to repair the inside of a pressure vessel or steam boiler.

Specialists in steam

Optimise

Improving companies steam requirements

Contact Us

01284 811889
info@ohsltd.co.uk