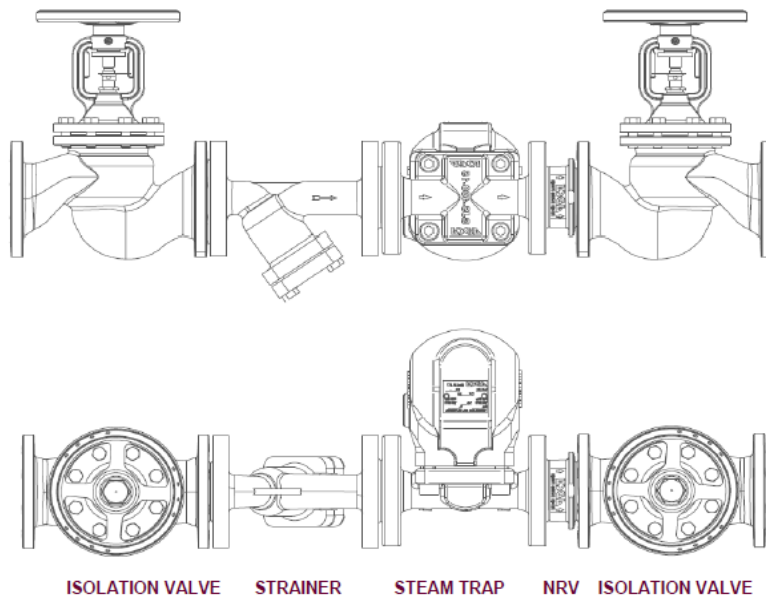


## A typical Steam Trap Survey would include:

1. Boiler House Data
2. Trap Location P&ID
3. Steam System Data
4. System Queries
5. Survey Trap List
6. Defective Trap List
7. Analysis Graph & Report
8. Replacement Trap Quotation
9. Report Conclusion

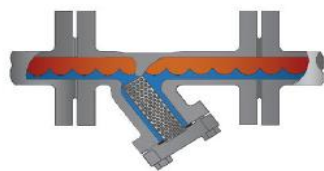
## SYSTEM DATA

### Steam Trapping



### Potential Sources of Water Hammer

Strainer with Hanging Basket



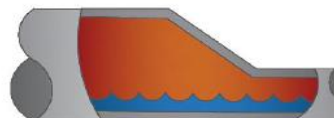
Concentric reducer



Riser



**Correct Pipe;** Eccentric Reducer



**Incorrect Pipe;** Concentric Reducer

